

Embrace the elements



MA500 Access Control Terminal



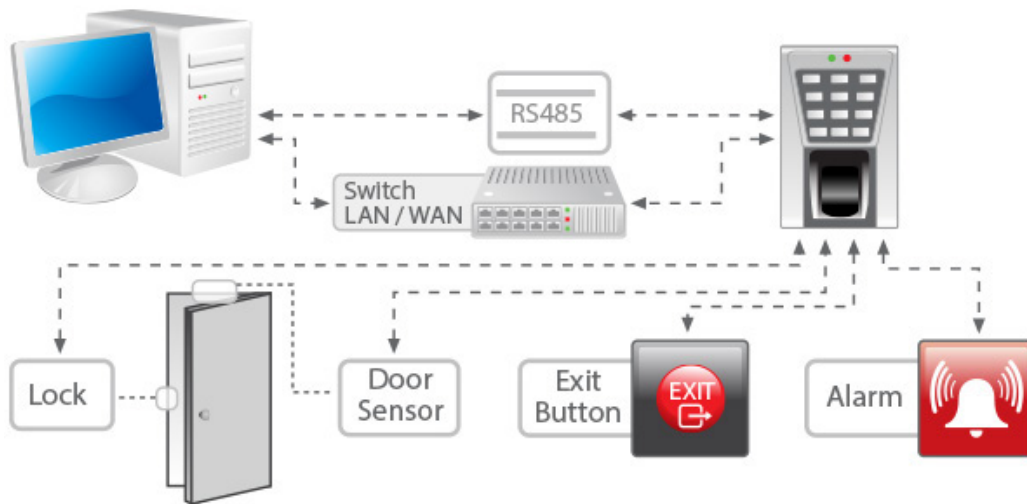
Features:

- Highly accurate ZK Optical sensor
- IP65 Rated
- Stores 3,000 fingerprint templates
- Reads Finger and/or Pin's and/or RFID card
- Rugged steel casing
- Integrated 125kHz RFID proximity reader
- Built-in Wiegand input/output ports for connection to third party control panels
- TCP/IP, RS485
- Audio indications for acceptance and rejection of valid/ invalid fingers
- Cable Tray

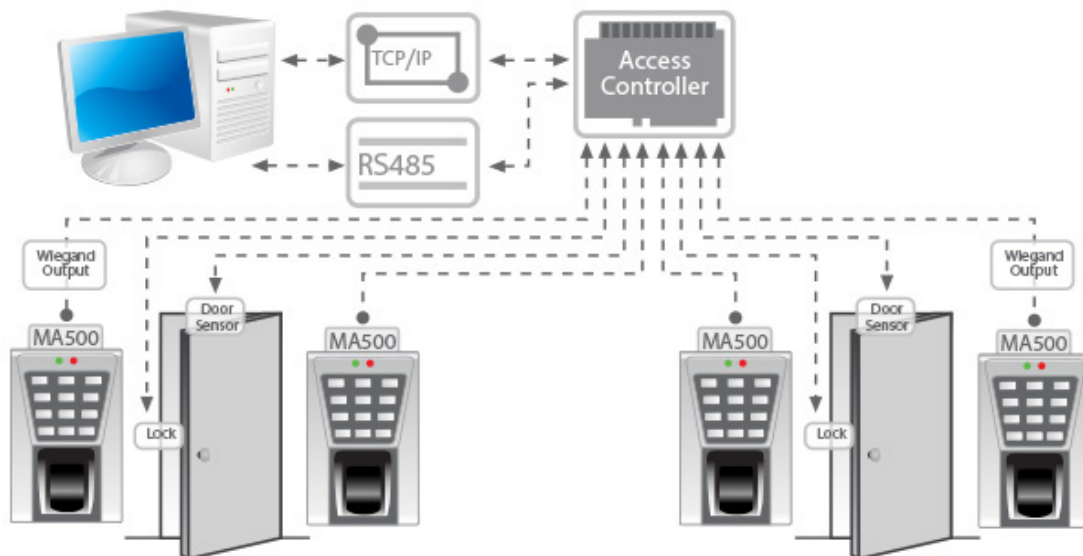
ZKTeco®

All design and specification declared are subject to change without notice In advance Copyright © 2013 ZKTeco Inc. All rights reserved

Standalone Configuration



3rd Party Controller Configuration



Specifications:

Fingerprint Capacity:	3,500 templates
Transaction Capacity:	100,000 transactions
Sensor:	ZK Optical
Algorithm Version:	ZK Finger v10.0
Built-in Card Reader:	125kHz RFID proximity reader
Communication:	RS485, TCP/IP, USB-host
Wiegand Ports:	Input and Output any bits
Access Control interfaces:	3rd party electric lock, door sensor, exit button, open door alarm.
Power Supply:	12V DC 3A
Operating Temperature:	0 °C - 45 °C
Operating Humidity:	20%-80%
Dimension:	95 X 114 X 95 mm